

electric

USER MANUAL



MINI ELECTRIC SCOOTER

E-KS1BK

BLACK

E-KS1BL

BLUE

E-KS1PK

PINK

Thank you for choosing electricQ

Please read the manual before using this scooter and keep it safe for future reference.

Visit our page www.electricQ.co.uk for our entire product range

CONTENTS

SAFETY WARNINGS	3
SCOOTER DIAGRAM	5
ASSEMBLY	6
FOLDING THE SCOOTER	6
FIRST USE	7
HOW TO RIDE	8
MAINTENANCE	8
STORAGE	8
TECHNICAL SPECIFICATIONS	9
SUPPORT	9

SAFETY WARNINGS

- Carefully read the user manual before use to avoid the risk of injury. Keep the user manual safe for future reference.
- The scooter can only be used by children under adult supervision. Persons with reduced physical, sensory or mental capabilities or who lack experience and knowledge can also use this scooter if they are supervised, or have been given the correct instructions concerning the use of the scooter and understand the hazards involved.
- Not suitable for children under the age of 8 years due to the maximum speed.
- Do not leave children unattended with the scooter.
- Cleaning and user maintenance must not be performed by a child under the age of 12 unless supervised by an adult.
- A parent's decision to allow their child to ride this product should be based on the child's maturity, skill and ability to follow rules.
- Do not attempt or do stunts or tricks on your scooter.
The scooter is not made to withstand abuse from misuse such as jumping, curb grinding or any other type of stunts.
- Never use headphones or mobile phones while riding.
- The user is responsible for all consequences from improper use of the scooter.
- The scooter is for personal use only, and must be operated in accordance with current local legislation.
- Only one person can use the scooter at a time.
- Inspect the scooter before use. Do not attempt operation if any damage is found or suspected.
- Keep fingers clear of the folding mechanism when folding or unfolding the electric scooter.
- Do not allow children to assemble or fold/unfold the scooter.
- This scooter is to be ridden responsibly. If you lose control you could cause serious injury.
- Wear suitable protective equipment, clothing and footwear, including, but not limited to, flat shoes, helmet, knee protectors and elbow protectors.
- Do not ride after consuming alcohol, or under the influence of drugs.
- Verify that use of the scooter is allowed in the area you wish to ride.
- Do not use the scooter at night, or when visibility is low.
- Always check the battery level using the LED display. If the battery is low, the scooter might stop suddenly and cause injury.
- The scooter is designed to be used on smooth flat ground.
- Do not use the scooter in wet conditions, including snow, mud and ice.

- Maintain a slow speed if travelling downhill. Use the brake to regulate the speed.
- Do not carry children while using the scooter.

NOTE: Pictures and information in this manual may vary from the product, due to continuous product improvement.

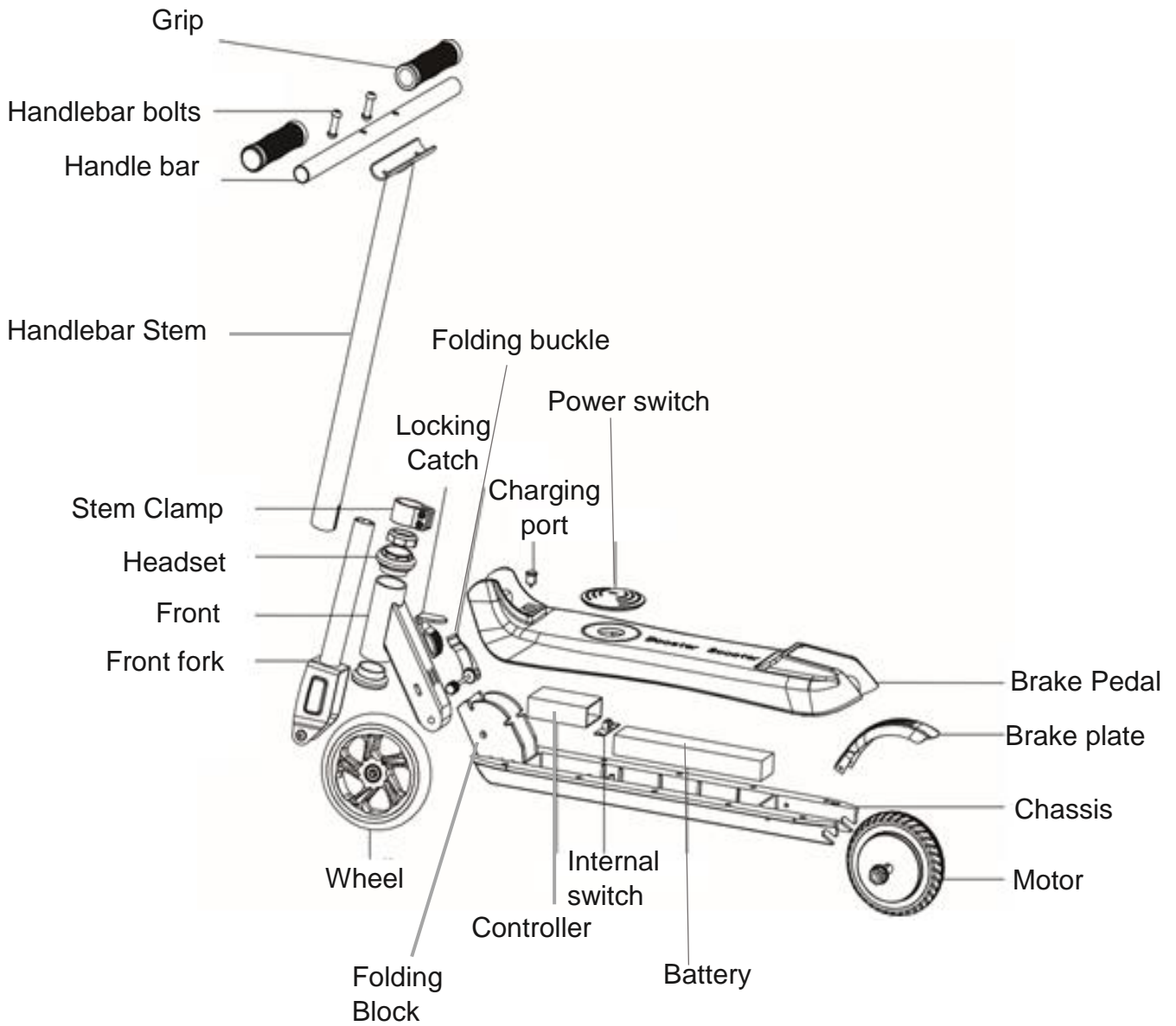
BATTERY SAFETY

IMPORTANT: Battery care and charging should only be undertaken by competent adult.

IMPORTANT: If the battery shows any sign of damage such as leaking, bulging or excessive heat, immediately dismount the scooter and contact the supplier. Do not use the scooter if there are signs of battery damage.

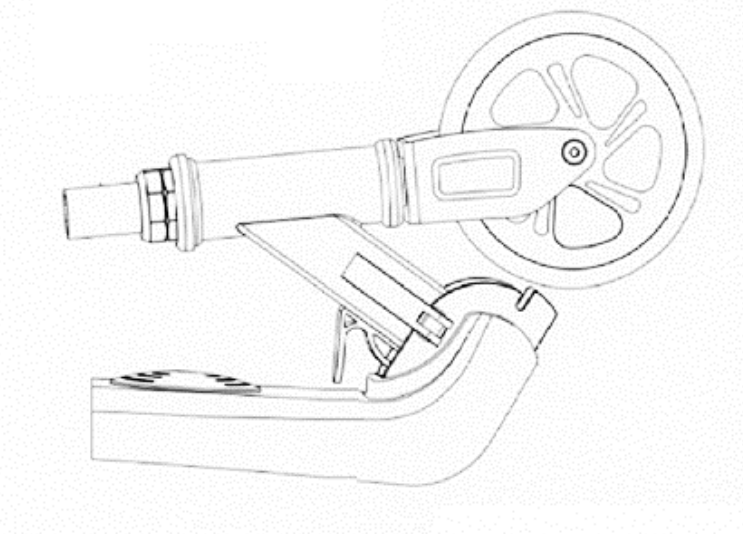
- The scooter comes supplied with a lithium battery. Care must be taken with the battery and charging to maintain its lifespan.
- Do not expose the scooter or battery to naked flames or extreme heat.
- Do not expose the scooter or battery to extreme cold.
- Do not allow moisture to enter the battery compartment or charging port.
- Only use the provided charger.
- Do not overcharge the battery or leave unattended whilst charging.
- The battery must be removed if disposing of the product.
- The battery is to be disposed of safely.
- Lithium batteries are considered dangerous goods. Check your countries laws on transportation and use.
- Do not use an extension cable of any kind to charge the scooter. Always plug into an earthed socket.

SCOOTER DIAGRAM



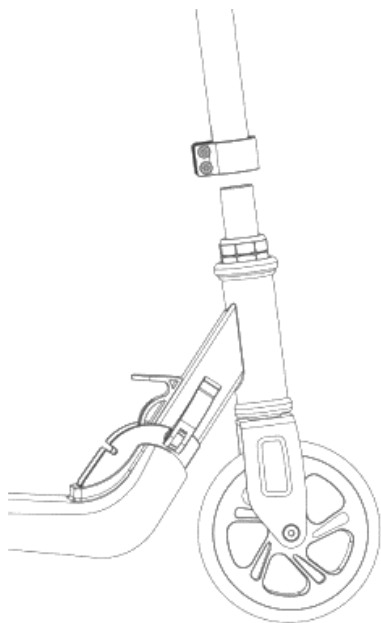
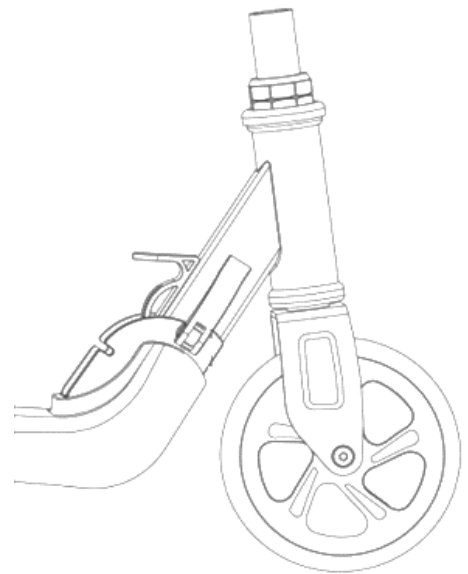
ASSEMBLY

Ensure that the mini scooter is fully assembled before operating.



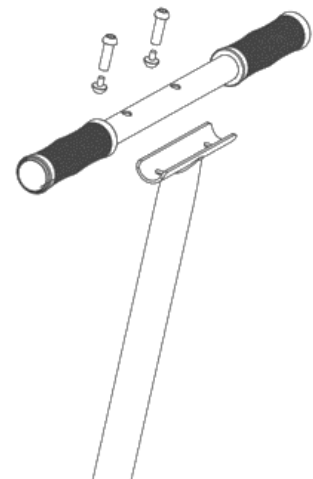
Ensure the folding buckle is unfastened then lift the locking catch up to release it from the folding block. Twist the front of the scooter into position until a click is heard and the catch is located in the upright position on the folding block.

Once the catch is located, ensure that the nut on the folding buckle is suitably tightened before using the folding buckle to lock the front of the scooter in position.

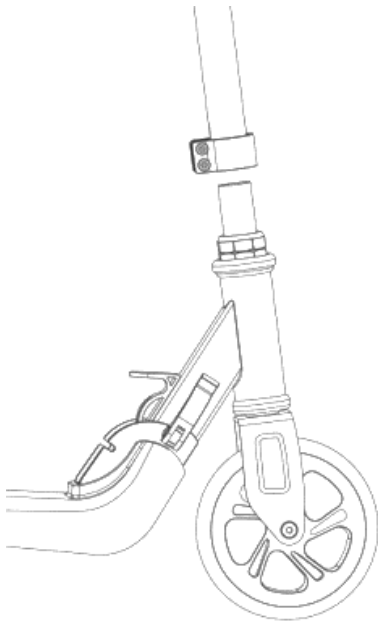


Slide the Handlebar stem into position at the front of the scooter. Then use a screwdriver to tighten the bolts on the stem clamp to lock the handlebar stem onto the scooter.

Place the handlebar in the groove on top the handlebar stem. Align the holes on the handlebar with the stem before inserting the handlebar bolts. Secure the bolts using the provided nuts.

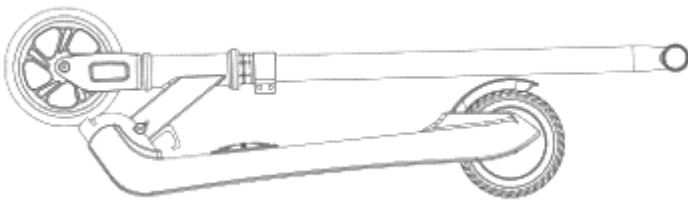


FOLDING THE SCOOTER



Unfasten the folding buckle and pull the locking catch before folding the handlebars towards the back wheel. Ensure the locking catch is located in the folded position.

Fasten the folding buckle to secure the scooter in the folded position.



FIRST USE

IMPORTANT: Before using the scooter for the first time, fully charge the battery.

- Remove the protective cover from the charging port on the scooter.
- Ensure that the charging port is dry and not damaged before inserting the charger into the port. (Refer to the scooter diagram for location).
- When the indicator on the charger is red, the scooter is charging.
- The indicator light on the charger will turn green when the battery is fully charged. This usually takes 2-3 hours.
- Do not over charge as long-term battery life may be affected. Do not leave unattended while charging.
- When charging has completed, remove the charger and ensure that the protective cover is placed securely over the charging port.

HOW TO RIDE

NOTE: During operation, one foot is required on the power switch to power the motor.

IMPORTANT! Ensure all locking devices are secure and the scooter is stable before riding.

IMPORTANT: This scooter is a toy and should be used as such. Do not ride in public areas. Adult supervision is required at all times.

1. Place one foot firmly on the deck, keeping your other foot on the ground for balance.
2. Hold the handle with both hands and gently push the scooter forward. When you hear a noise, the scooter is active, place your foot on the power switch activate the motor
3. Pressing the rear brake will stop the scooters motor running.
4. If the scooter emits a beeping sound, this is indicating that the battery is low, please charge the scooter. Do not run the scooter on low battery.
5. Staying stationary for 10 seconds will make the scooter automatically turn off.
6. When the scooter has stopped, remove your feet one by one.

MAINTENANCE

The scooter requires routine cleaning and maintenance.

- Before any work is carried out on the scooter, ensure that the charging cable is not connected and that the scooter is powered off.
- To clean the scooter, wipe the exterior with a soft damp cloth, then dry immediately.
- The exterior of the scooter is dustproof and splash proof with an ingress rating of IPX4. The scooter is water and dust resistant, but not waterproof, never submerge the scooter, and do not ride in heavily dusted areas. Care should be taken to avoid mud, large puddles, avoid adverse weather.
- Do not allow water to get inside of the scooter. There is a high risk of the internal electronics becoming permanently damaged.
- The non-inflatable tyres on the scooter must be regularly checked for damage.

STORAGE

- To protect the battery, ensure it is charged for at least an hour before storage. If you plan on storing the scooter for a prolonged period, the scooter should be charged every 2 months to avoid deterioration of the battery. Do not store the scooter at less than 7°C or above 25°C
- Keep the scooter inside its own packaging, or cover it to prevent dust build up.
- Keep the scooter indoors at all times when not in use.

TECHNICAL SPECIFICATIONS

Model name	E-KS1BK/ E-KS1BL/ E-KS1PK
Maximum loading	50kg
Maximum speed	6km/h
Maximum Range	6km
Motor power	60W
Climbing gradient	5°
Power supply	AC 110-240V, 50/60Hz
Battery	2.0Ah Lithium battery
Battery power	43.2 Wh
Battery voltage	21.6V
Charging temperature	0°C - 40°C
Charging time	2-3 hours
Storage humidity	45% - 75%
Body dimensions	70x36x86cm
Folded body dimensions	86x36x23cm
Net weight	4.7 kg
Tyre Size	5 inches

electriQ UK SUPPORT.

0871 620 1057

Office hours: 9AM - 5PM Monday to Friday

www.electriQ.co.uk

Unit J6, Lowfields Business Park

Lowfields Way, Elland

West Yorkshire, HX5 9DA

PRODUCT DISPOSAL

Do not dispose this product as unsorted municipal waste. Collection of such waste must be handled separately as special treatment is necessary.

Recycling facilities are now available for all customers at which you can deposit your old electrical products. Customers will be able to take any old electrical equipment to participating civic amenity sites run by their local councils. Please remember that this equipment will be further handled during the recycling process, so please be considerate when depositing your equipment. Please contact the local council for details of your local household waste collection service.

